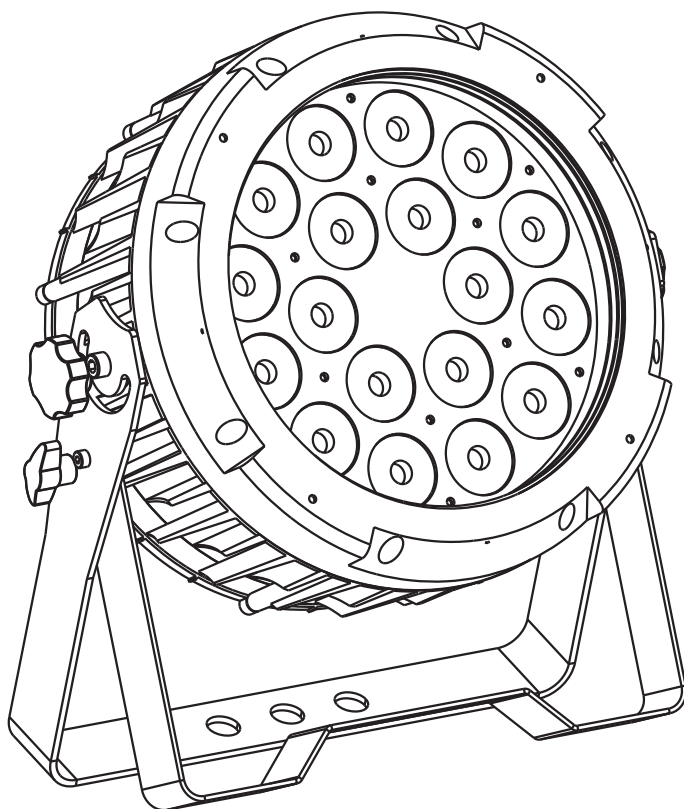


LP-1218-4 IP

USER MANUAL



CE

JOLLY®

Table of content

1.Open–Package guidelines.....	1
1. 1 Package.....	1
2.Safety instructions.....	1
3.Operating determination.....	3
4.Rigging the fixture.....	4
4.1 Mounting.....	4
4.2Installing the Clamps.....	4
4.3 Power supply connection and cut off.....	5
4.4 Power Connection.....	5
4.5 DMX–512 connection/connection between fixtures.....	5
5.Description of the device.....	7
6.Dimension.....	8
7.Display control.....	9
7.1 Navigation in the Menu.....	9
7.2 Display Operation.....	9
7.3 Menu list.....	10
8.DMX protocol.....	10
9.Maintance and cleaning.....	11
10.Electric equipment specification.....	11
10.1 Electrical paramters.....	11
10.2 Weight and dimensions.....	11
10.3 Channel Characteristics.....	12
10.4 Menu Function.....	12
10.5 light table.....	12
11.Electronic drawing.....	13

Congratulations on choosing our products! Please carefully read this instruction manual in its entirety and keep it well for using reference. This manual contained about the installation and the relative using information of this products. Plese refere this manual's relative instruction when using this equipment.

1. Open–Package guidelines

-This equipment is made of new style,high intensity plastic. It fully shows the modem times light characteristic with beauty struture. And it is made accord to CE standard. Fully agree with the international standard of DMX512 agreement.

-When receive the product, please be careful to take and put,Check if the product has damage or not because of transportation, and check the following parts:

- | | |
|--------------------|---------------------|
| 1.Signal cable-1PC | 2.Safy cable-1PC |
| 3.User Manval-1PC | 4.Omega holder-1PCS |
| 5.Power cable-1PC | 5.Service card-1PC |

1.1 Package

Unpacking the fixture

- 1.Open the flight case cover.
- 2.Lift the fixture out of the flight case.

Packing the fixture

- 1.Disconnect the fixture from power and allow it to cool.
- 2.Place the fix ture in the bottom of the flight case, and cover the case without forcing.

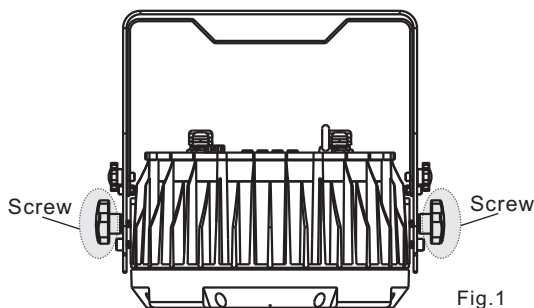
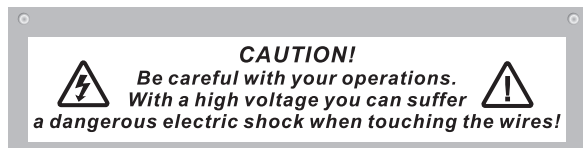


Fig.1

2.Safety instructions

Every person involvd with installation and maintenance of this device to:

- Be qualified
- Follow the instructions of this manual.



This device has been shipped with our premises in absolutely perfect condition. In order to maintain this condition and to ensure a safe operation, it is absolutely necessary for the user to follow the safety instructions and warning notes written in this manual.

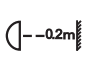
Important:

- The manufacturer will not accept liability for any resulting damages caused by the nonobservance of this manual or any unauthorized modification to the device.
- Please consider that damages caused by manual modifications to the device are not subject to warranty.

- Never let the power-cord come into contact with other cables! Handle the power cord and all connections with particular caution!
- Make sure that the available voltage is not higher than stated on the rearpanel.
- Always plug in the power plug least. Make sure that the power-switch is set to off-position before you connect with themains with particular caution!
- Make sure that the power-cord is never crimped or damaged by sharp edges. Check the device and the power-cord from time to time.
- Always disconnect from the mains, when the device is not in use or before cleaning it.
- Only handle the power-cord by the plug, Never pull out the plug by tugging the powercord.
- This device falls under protection class I. Therefore it is essential to connect the yellow/green conductor to earth.
- The electric connection, repairs and servicing must be carried out by a qualified employee.
- Do not connect this device to a dimmer pack.
- Do not switch the fixture on and off in short intervals as this would reduce the lamp's life.
- Do not touch the device's housing bare hands during its operation (housing becomes hot)!
- For replacement use lamps and fuses of same type and rating only.







Eye damage!

Avoid looking directly into the light source (meant especially for epileptics)!

- 
 - Minimum distance of illuminated objects
The projector needs to be positioned so that the objects hit by the beam of light are at least 0.20 metres (8") from the lens of the projector.
- t_a 40°C

 - Maximum ambient temperature
Do not operate the fixture if the ambient temperature (T_a) exceeds 40°C (104°F).
- t_c 90°C

 - Temperature of the external surface
The maximum temperature that can be reached on the external surface of the fitting, in a thermally steady state, is 90°C (194°F).
- IP 65

 - IP65 protection rating
Completely prevent external intrusion and dust entering. Avoid the damages to devices of water coming from the nozzle from different directions.
- 
 - Indoor use only
- 
 - Not suitable for household illumination
- 
 - Photobiological Safety
CAUTION. Possibly hazardous optical radiation emitted from this product. Do not stare at operating lamp. May be harmful to the eyes.
- 
 - Light collimation system
This product contains internal light collimation system. Avoid intense light from any angle.
- 
 - The products to which this manual refers comply with the European Directives pursuant to:
 - 2006/95/EC - Safety of electrical equipment supplied at low voltage (LVD)
 - 2004/108/EC - Electromagnetic Compatibility (EMC)
 - 2011/65/EU - Restriction of the use of certain hazardous substances (RoHS)
 - 2009/125/EC - EcoDesign requirements for Energy-related Products (ErP)
- 
 - Protection against electrical shock
Connection must be made to a power supply system fitted with efficient earthing (Class I appliance according to standard EN 60598-1). It is, moreover, recommended to protect the supply lines of the projectors from indirect contact and/or shorting to earth by using appropriately sized residual current devices.



Disposing

This product is supplied in compliance with European Directive 2012/19/EU-Waste Electrical and Electronic Equipment (WEEE). To preserve the environment please dispose/recycle this product at the end of its life according to the local regulation.

3. Operating determinations

- This device for LED lighting, used to create the beam effect.
- If the device has been exposed to drastic temperature fluctuation (e.g. after transportation), do not switch it on immediately. The arising condensation water might damage your device. Leave the device switched off until it has reached room temperature.
- Never run the device without lamp!
- Do not shake the device. Avoid brute force when installing or operating the device.
- Never lift the fixture by holding it at the projectorhead, as the mechanics may be damaged. Always hold the fixture at the transport handles.
- When choosing the installation-spot, please make sure that the device is not exposed to heat, moisture or dust. There should not be any cables lying around. You endanger your own and the safety of others!
- The minimum distance between light output and the illuminated surface must be more than 0.2 meters.
- Make sure that the area below the installation place is blocked when rigging, derigging or servicing the fixture.
- Always fix the fixture with an appropriate safety rope. Fix the safety rope at the correct holes only.
- Operate the fixture after having checked that the housing is firmly closed and all screws are tightly fastened.
- The lamp must never be ignited if the objective-lens or any housing-cover is open, as discharge lamps may explode and emit a high ultraviolet radiat, which may cause burns.
- The maximum ambient temperature 40° C must never be exceeded.
- Operate the device only after having familiarized with its functions. Do not permit operation by persons not qualified for operating the device. Most damages are the result of unprofessional operation!
- Please use the original packaging if the device is to be transported.
- Please consider that unauthorized modifications on the device are forbidden due to safety reasons!
- If this device will be operated in any way different to the one described in this manual, the product may suffer damages and the guarantee becomes void. Furthermore, any other operation may lead to dangers like short-circuit, burns, electric shock, burns due to ultraviolet radiation, lamp explosion, crash etc.

4. Rigging the fixture

4.1 Mounting



***Pay attention to the regulations of CE.
Installation by qualified staff to complete.***

- ☞ For the various mounting positions of the FIXTURE (standing on the floor, sideways or hanging different accessories kits are available.
- ☞ Through this a safe and firm installation is assured.
- ☞ You'll find special connectors on the bottom side of the system which are put to use here.

4.2 Installing the Clamps

Please consider the respective national norms during the Installation! The installation must only be carried out by an authorized dealer!

The installation of the projector has to be built and constructed in a way that it can hold 10 times the weight for 1 hour without any harming deformation.

The installation must always be secured with a secondary safety attachment, e.g. an appropriate catch net. This secondary safety attachment must be constructed in a way that no part of the installation can fall if the main attachment fails.

When servicing the fixture staying in the area below the installation place, on bridges, under high working places and other endangered areas is forbidden.

The operator has to make sure that safety-relating and machine-technical installations are approved by an expert before taking into operation for the first time and after changes before taking into operation another time.

The operator has to make sure that safety-relating and machine-technical installations are approved by an expert after every four year in the course of an acceptance test.

The operator has to make sure that safety-relating and machine-technical installations are approved by a skilled person once a year.

The projector should be installed outside areas where persons may walk by or be seated.

Important! Overhead rigging requires extensive experience CE, including (but not limited to) calculating working load limits, installation material being used, and periodic safety inspection of all installation material and the projector. If you lack these qualifications, do not attempt the installation yourself, but instead use a professional structural rigger. Improper installation can result in bodily injury and or damage to property.

The projector has to be installed out of the reach of people.

If the projector shall be lowered from the ceiling or high joists, professional trussing systems have to be used. The projector must never be fixed swinging freely in the room.

Caution Projectors may cause severe injuries when crashing down! If you have doubts concerning the safety of a possible installation, do not install the projector!

Before rigging make sure that the installation area can hold a minimum point load of 10 times the projector's weight.

The projector can be placed directly on the stage floor or rigged in any orientation on a truss without altering its operation characteristics.

For overhead use, always install a safety-rope that can hold at least 10 times the weight of the fixture. You must only use safety-ropes with screw on carabines. Pull the safety-rope through the two apertures on the bottom of the base and over the trussing system etc.

Warning: it is necessary to make sure that the installation location is perfectly appropriate, and the installation location is safe and reliable.

4.3 Power supply connection and cut off

Connect the light source to the main power source with the plug of the power cord, or cut off the power supply:

4.4 Power Connection

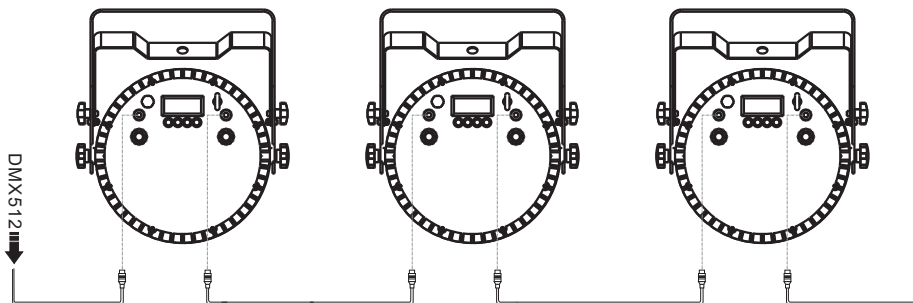
If you wish to change the power supply settings, see the chapter appendix. Connect the fixture to the mains with the enclosed power cable and plug.

Warning: please verify the power of the power supply equipment prior to the connection! Earth wire must be grounded!

CABLE(EU)	CABLE(US)	Pin	INTERNATIONAL
Brown	Black	Live	L
Light blue	White	Neutral	N
Yellow/Green	Green	Earth	⊕

4.5 DMX-512 connection/connection between fixtures

Only use stereo shielded cable and 3-pin XLR-plugs and connectors in order to connect.



Caution

At the last fixture, the DMX-cable has to be terminated with a terminator. solder a 120 resistor between signal(-) and Signal (+) into a 3-pin XLR-plug and plug it in the DMX-output of the last fixture.

DMX output
3-pin XLR socket



DMX input
3-pin XLR socket



- 1: Ground
- 2: Signal (-)
- 3: Signal (+)

DMX output
5-pin XLR socket



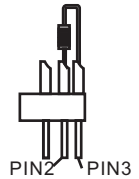
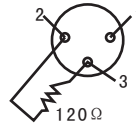
DMX input
5-pin XLR socket



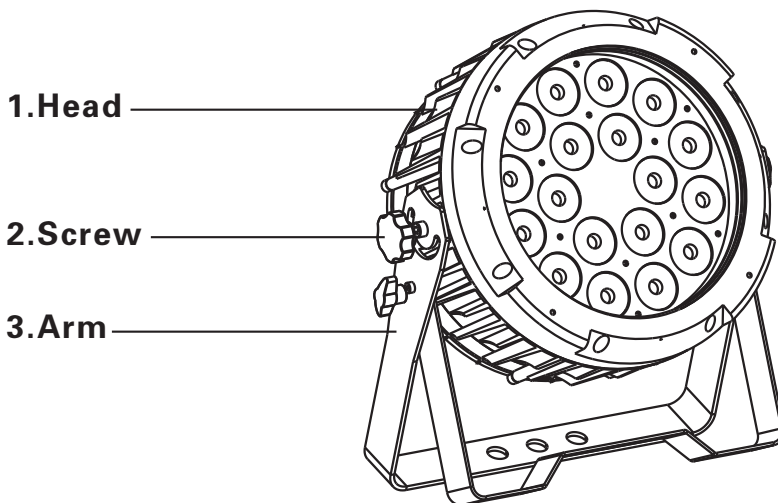
- 1: Ground
- 2: Signal (-)
- 3: Signal (+)
- 4: N. A.
- 5: N. A.

DMX Terminator Diagram

-For installations where the DMX cable has to run a long distance or is in an electrically noisy environment it is recommended to use a DMX terminator. This helps in preventing corruption of the signal by electrical noise. The DMX terminator is simply an XLR plug with a 120Ω resistor connected between pins 2 and pins 3, which is then plugged into the output XLR socket of the last fixture in the chain.



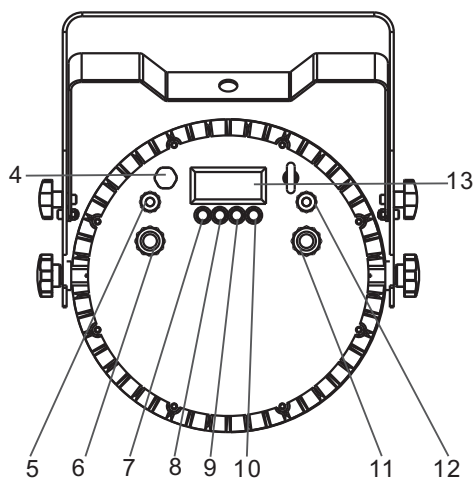
5. Description of the device



1. Head

2. Screw

3. Arm



4. Respirator

5. Waterproof signal cable-In

6. Power-In

7. MODE button

8. UP button

9. DOWN button

10. ENTER button

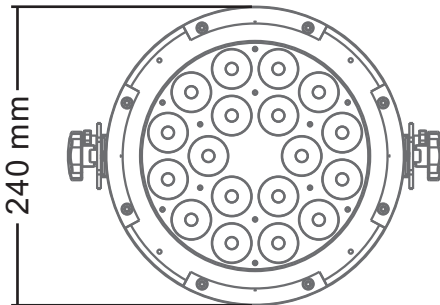
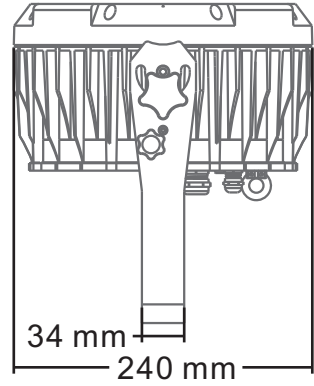
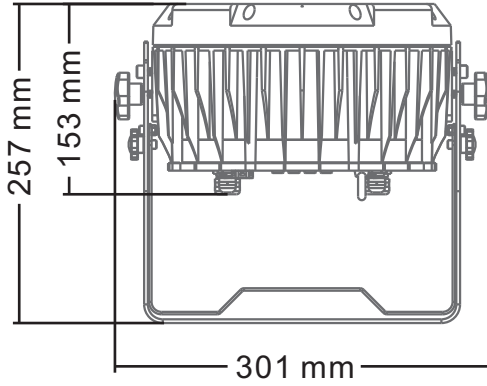
11. Power-Out

12. Waterproof signal cable-Out

13. LED display

1) 8° /15° /25° /40° lens optional.

6.Dimension



7.Display control

7.1 Navigation in the Menu

Using the buttons, and this can be simply and easily set the address code and function code.

If you view or modify the lighting feature set, then press ENTER button, the display will enter the menu interface. Both there is sub menu corresponding to the functional operation of the main menu. Each of the menus is representative of the specific features of the lamp. The specific contents shows as the table menu below.

Set or browse lighting function, press UP or DOWN button.







Press ENTER to save your changes or enter the submenu.Press the UP or DOWN can change the numerical (increase or decrease in value).

Press the MODE button to return to menu.

7.2 Display Operation

-When the power on, if the display is flashing, it indicates that the DMX signal connection is unnormal. This state can be used to check whether the connection between the lamp and the console is connected. Normal.

-Once powering on, the display indicates as following:

Display info	Contente info
	A001
	MODE
	TEST
	TIME
	DISP
	CONT

If there is a channel failure in the reset process, the LCD screen will display the corresponding fault information, can be compared to the information content of the lamp to be amended, if in doubt, consult the relevant technical personnel. - (Error List)

CODE #	ERRO INFO	CHECK MEASURMENT	NOTE
Er00	Error of updating when reading LED drive PCB	Check the welding of memory IC	RESET ERROR
Er01	Error of reading LED driver PCB when updating	Check the communication signal& welding of communication chip	
Er02	Error of software calibrating for LED driver PCB		

7.3 Menu list

			Remark
MODE	MODE1	1-8	default Mode1
	MODE2	1-14	
TEST	CH01~CHxx	U000~U255	Chanel Testing
SET	RUN	MSTR	Automatic program
		ALON	Single operation
	STAT	CLOS	Close LED when you don't have DMX
		HOLD	Maintaining DMX data without DMX
		AUTO	Running automatic program without DMX state
TIME	FIXT	0000~9999	Total working hours
	CLET		Reset LED Time
DISP	VALU	0100~xxff	DMX Values
	DON	ON/OFF	Screen Time out
	ERR	NONE	Error details
		Er00~Erxx	Error ID
	TEMP	Txxx	Temperature view
	DIAG	Dxxx%	Diagnosis
CONT	INIT	ON/OFF	Reset to original parameters
	VER	V01~V99	Software version

8.DMX protocol

Mode1	Mode2	Name	Function	DMX Value
1	1	Red	Red 0-100%	0-255
		Red fine	Red fine	0-255
2	3	GREEN	Green 0-100%	0-255
		Green fine	Green fine	0-255
3	5	BLUE	Blue 0-100%	0-255
		Blue fine	Blue fine	0-255
4	7	White	White 0-100%	0-255
		White fine	White fine	0-255
5	9	Linear CTO		0-255
6	10	Strobe	Closed	0-3
			Strobe slow→fast (1→25 flash/sec)	4-103
			Open	104-107
			Pulsation slow→fast (0.5-25 flash/sec)	108-207
			Open	208-212
			Random slow strobe	213-225
			Random medium strobe	226-238
			Random fast strobe	239-251
Open	252-255			
7	11	Dimming	Dimming 0%-100%	0-255
	12	Dimmer Speed	Dimmer speen (fast to slow)	0-255

Mode1	Mode2	Name	Function	DMX Value
8	13	LED Effect	No Function	0-9
			Red	10-17
			Green	18-25
			Blue	26-33
			White	34-41
			Red+Green	42-49
			Red+Blue	50-57
			Red+White	58-65
			Green+Blue	66-73
			Green+White	74-81
			Blue+White	82-89
			Red+Green+Blue	90-97
			Red+Green+White	98-105
			Green+Blue+White	106-113
			Red+Green+Blue+White	114-121
No Function	122-255			
	14	Function	UNUSED RANGE	0-9
			Dimmer Curve 1	10-19
			Dimmer Curve 2	20-29
			Dimmer Curve 3	30-39
			Dimmer Curve 4	40-49
			UNUSED RANGE	50-255

9. Maintenance and cleaning

DANGER: Disconnect from the mains before starting any maintenance work.

It is absolutely essential that the fixture is kept clean and that dust, dirt and smoke fluid residues must not build up on or within the fixture. Otherwise, the fixtures light-output will be significantly reduced. Regular cleaning will not only ensure the maximum light-output, but will also allow the fixture to function reliably through out its life. A soft lint-free cloth moistened with any good glass cleaning fluid is recommended, under no circumstances should alcohol or solvents be used!

The front objective lens will require weekly cleaning as smoke-fluid tends to building up residues, reducing the light-output very quickly. The cooling-fans should be cleaned monthly.

Maintenance and maintenance of the operation, please contact the manufacturer or distributor.

10. Electric equipment specification

10.1 Electrical parameters

SOURCE: RGBW 18LED-15W

POWER: 250W

VOLTAGE: AC100-240V 50/60HZ

Color Temperature: 6500K

10.2 Weight and dimensions

Dimensions : 257X301X240mm

NET WEIGHT: 5.5Kg

Dimensions (Carton Package) : 360X310X327mm

WEIGHT (Carton Package) : 6.5Kg

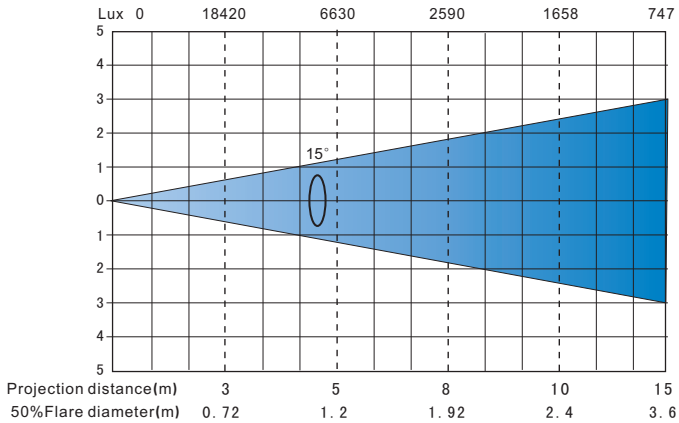
10.3 Channel Characteristics

1. 8、14 two standard DMX channel model.
2. Shutter: electronic shutter, random strobe.
3. RGBW demmer: limear dimmer.
4. LED dimming Speed is adjustable.

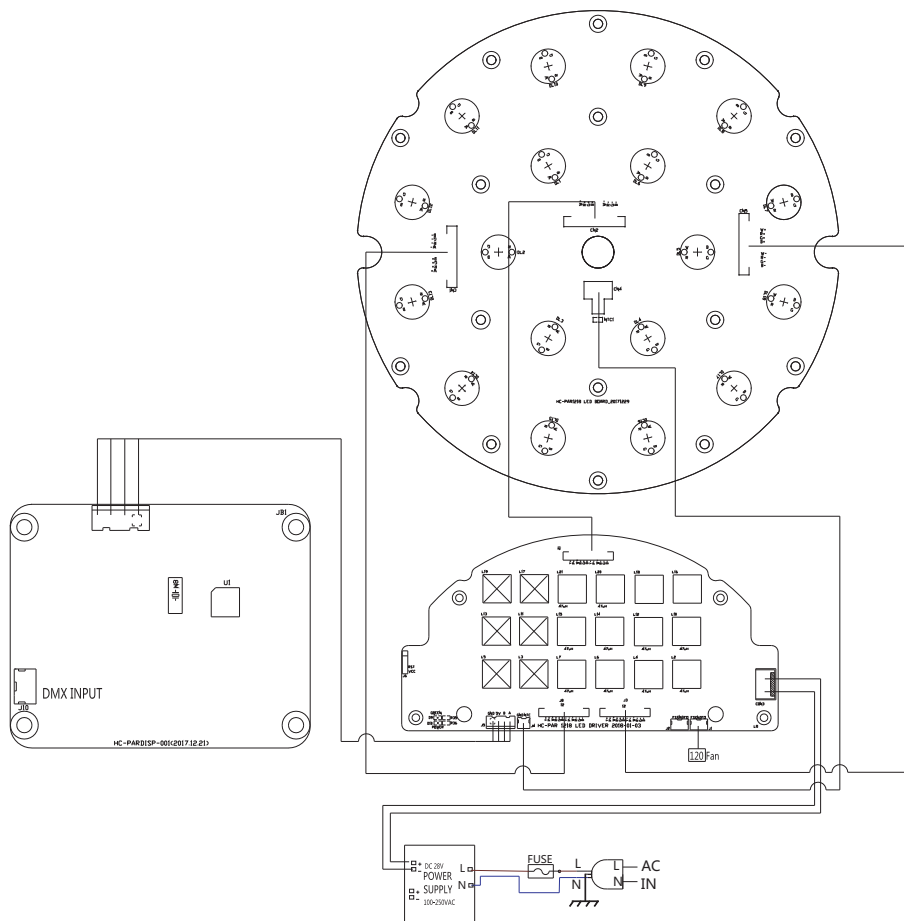
10.4 Menu Function

1. Digital tube display screen, English menu.
2. DMX values and communication quality values can be displayed in each channel. .
3. Monitor could ON/OFF automatically.
4. Display the time using of lighting feature and lamp as well as the times of turning on for lamp.
5. After the DMX signal is disconnected, the display will be bright and dark.
6. With DMX Software upgrade.

10.5 light table



11. Electronic drawing



Note: The above contents for reference only and is subject to change without prior notice, please take specification you have on hand and our company reserves the final right of interpretation.



<http://www.jollylighting.com>

Guangzhou hongcai stage equipment Co.,Ltd

Tel:+862084558833 Fax:+862084559699

Email:info@jollylighting.com P.C:511450

Add:Building2,No.32,Changsha Street, Shachong Village,shiji Tow.Panyu District,Guangzhou,China